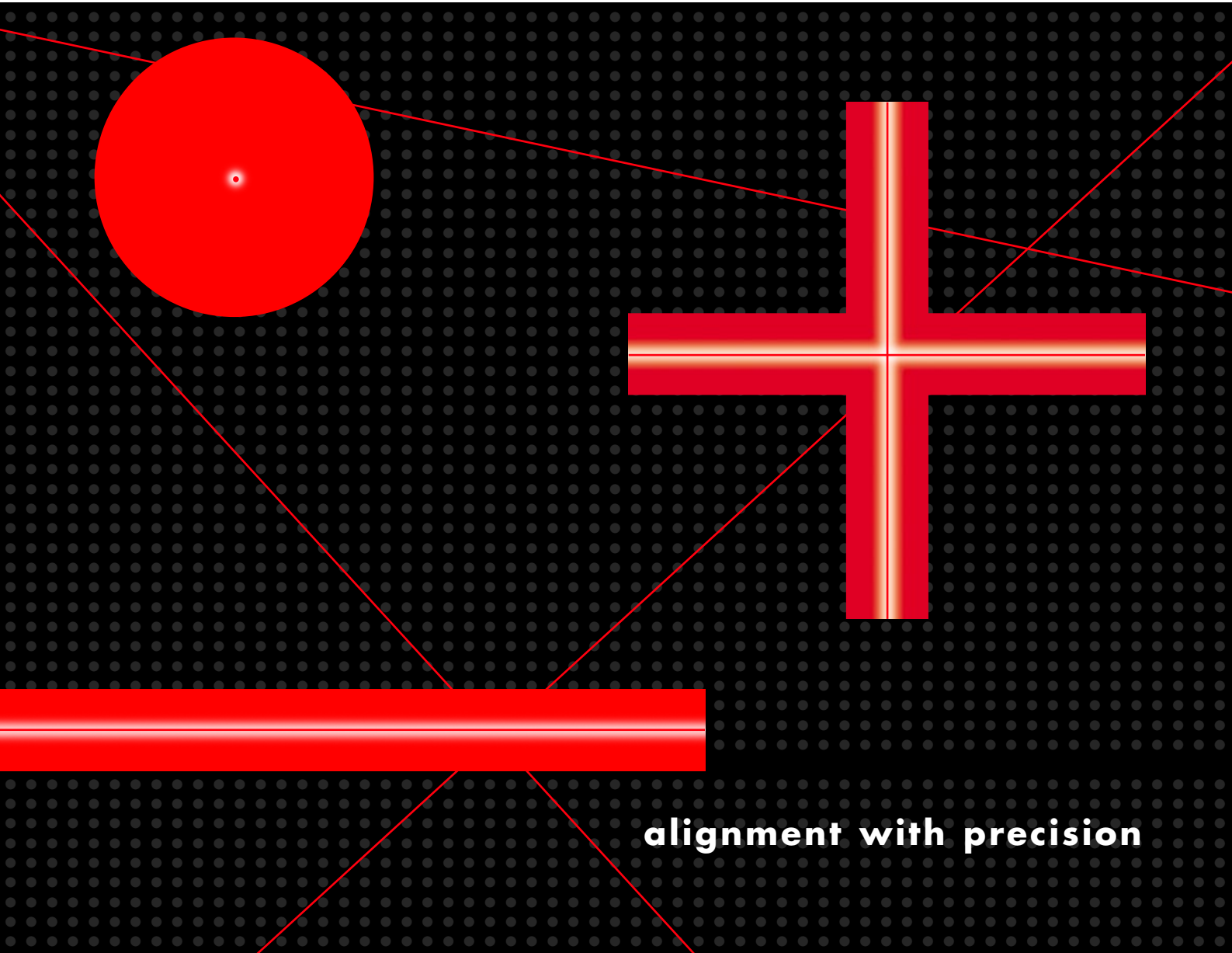


HD LASER

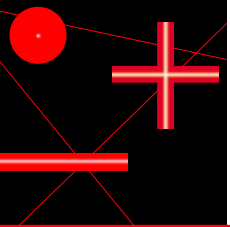
■ ■ LINE-, CROSSHAIR- AND SPOTLASER

Output power 1 to 30 mW



alignment with precision





HD LASER.

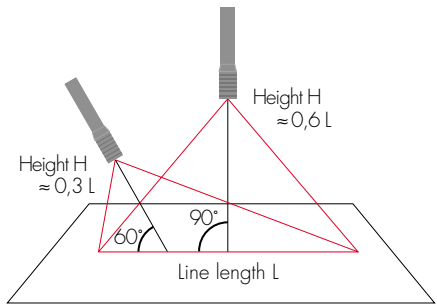


HIGHLIGHTS.

- "Heavy Duty" design
- Extremely robust stainless steel housing
- Can be focussed without tools
- 12 - 30 VDC, 12 - 20 VAC
- Reverse polarity protected
- Water resistant to IP 65

WIDERANGE, ISOLATED POWER SUPPLY.

The HD lasers use a high-efficiency step-down transformer to eliminate heat build-up. The laser diode is galvanic isolated from the power supply in order to protect from transients and voltage variations. A wide range input enables HD lasers to be used with all common low voltages. HD lasers are polarity protected and have a soft start function.



ROBUST AND EASY TO HANDLE.

Lasers of HD series are designed for industrial applications in harsh environments. They project lines, cross hairs or points, clearly visible even in daylight. The optics can be focussed manually without disrupting the current alignment. HD lasers can be installed easily due to their size. Several adjustable and movable mounting brackets are available as accessories.



BRACKETS.



B2-FDj



B2-FD



B3-HD



B2-HD

BKK

TECHNICAL DATA.

MODELS.

Output power	Line	Laser class ¹⁾	Line length ²⁾	Cross hairs	Laser class ³⁾	Spots	Laser class
1 mW	LAP 1 HDL	2	up to 1 m	LAP 1 HDX	2	LAP 1 HDP	2
3 mW	LAP 3 HDL	2	up to 2 m	LAP 3 HDX	2	LAP 3 HDP	3R
5 mW	LAP 5 HDL	2	up to 4 m	LAP 5 HDX	2	LAP 5 HDP	3R
10 mW	LAP 10 HDL	2M	up to 6 m	LAP 10 HDX	2M	LAP 10 HDP	3B
15 mW	LAP 15 HDL	2M	up to 10 m	LAP 15 HDX	2M	LAP 15 HDP	3B
30 mW	LAP 30 HDL	2M	up to 20 m	LAP 30 HDX	2M	LAP 30 HDP	3B

1) with standard optic 80° 2) depends on ambient light, height above surface, angle 3) with standard optic 62°

GENERAL DATA.

Laser type, wavelength	diode, 635 nm, red
Divergence	0,5 mrad
Enclosure rating	IP 67
Power supply	12-30 VDC, 12-20 VAC, optional 5 VDC*
Power consumption	< 200 mA
Ambient conditions	-10° to +40°C, 35-90% rel. humidity, non-condensing
Dimensions	length: 140 mm, Ø front: 25 mm, back: 20 mm

* 5V-version: no separation of potentials



ACCESSORIES AND OPTIONS.

- Mounting brackets, fixed or movable
- Plug-in and DIN rail mount power supplies
- other wavelengths
- various fan angles (line: 10°, 20°, 30°, 40°; cross: 38°)

LAP has a great deal of experience with customer-specific solutions.
Please inquire!



Sensors, Line Lasers, Projectors
Systems & Solutions



LAP Laser LLC.

Sales, Service

7669 Wooster Pike
Cincinnati, OH 45227
USA

Phone +1 (513) 271-4529
Fax +1 (513) 271-3821
Email info-us@lap-laser.com

**LAP GmbH
Laser Applikationen**

Headquarter: Production, Sales, Service

Zeppelinstr. 23
21337 Lueneburg
Germany

Phone +49 (0)4131 9511-95
Fax +49 (0)4131 9511-96
Email info@lap-laser.com

**LAP Laser Applications
Asia Pacific Pte Ltd**

Sales, Service

Block 750A, #07-02 Suite 8
Technopark at Chai Chee
Singapore 469001
Singapore

Phone +65 6536 9990
Fax +65 6533 6697
Email info-asia@lap-laser.com

**LAP GmbH
Laser Applikationen
Moscow Representative Office**

Sales

1. Kasatschi Pereulok No. 7
119017 Moscow
Russian Federation

Phone +7 495 7304043
Fax +7 495 7304044
Email info-russia@lap-laser.com

**LAP Laser Applications
Asia Pacific Pte Ltd
Shanghai Representative Office**

Sales, Service

31/F Haitong Securities Tower
689 Guang Dong Road
Shanghai 200001
China

Phone +86 (21) 5047-8881
Fax +86 (21) 5047-8887
Email info-asia@lap-laser.com

 Partners

www.LAP-LASER.com



L A S E R

Sensors, Line Lasers, Projectors
Systems & Solutions